

KALEA

A4 MILLE



KALEA 
LIFTS

NEXT LEVEL

A4 MILLE

– Flexible platforms for heavy loads

The refined Kalea A4 Mille platform lift can travel up to a maximum height of 13 m with up to 6 landing doors on any of the 3 non machine sides.

Kalea A4 MILLE is driven by our tried and tested screw and nut drive system.

Kalea A4 MILLE is a flexible and robust lift with a rated load of 1000kg. The large platform and capacity makes this lift ideal for carrying heavy loads as well as providing cumbersome or unwieldy goods access to different floors of a building.

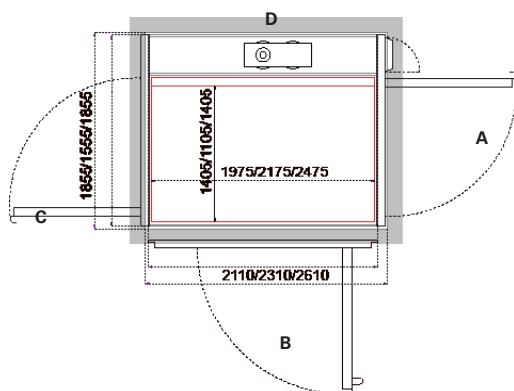
Kalea A4 MILLE lends itself to commercial buildings, sport arenas as well as factories, warehouses and restaurants because of its large capacity and size. The minimal floor recess of 130 mm is also an advantage.

As with all lifts of this type the controls on the platform are hold-to-run, but automatic one-touch call buttons are provided on the landings for ease of operation. An entrance of 1300 mm wide is possible, as required in many care homes and medical centres.

Kalea A4 MILLE can be equipped with automatic door openers as well as a range of other accessories and options. The robust modular shaft can be finished in a range of different RAL powder coated colours or even with safety glass panels. Fire rated doors can also be fitted if required.

Standard platform sizes, width x depth:

- 1405 mm x 1980 mm
- 1405 mm x 2480 mm
- 1105 mm x 2180 mm



TECHNICAL SPECIFICATION – KALEA A4 MILLE	
Rated load	1000 kg
Rated speed	Up to 0,15 m/sek (9m/min)
Control System	Hold to run
Travel	Up to 13 m (max 6 landings)
Platform dimension	1405 x 1975 mm / 1405 x 2475 mm / 1105 x 2175 mm
Shaft dimension	w = +420 mm x l = +100 mm (l = +120 pass through)
Pit	130 mm
Free space over top landing	2300 mm
Max screw length	4 metres (or customer choice)
Control System	Micro computer based Canbus System
Safety	Emergency battery lowering (automatic stop at ground level)
Power supply	380-400 V 3-phase 50/60 Hz 16 A frequency converter & 3x230 V 3-phase Hz 16 A frequency converter
Motor Power	4 kW
Certified in accordance with MD 2006/42/EC	

TECHNICAL SPECIFICATION (MM) – DOORS – KALEA A4 MILLE				
New name	A40	A30	EI60	EI60 G
Entrance width	1000	1300	1000 (std), 1200*	1000 (std), 1200*
Entrance height	2000 (std), 2100	2000 (std), 2100	2000 (std), 2100	2000 (std), 2100
Platform sizes	1105 x 2180 mm	1405 x 1980 mm 1405 x 2480 mm	All available	All available
Entrance side	A/C/B	A/C/B	A/C/B	A/C

* Not available for platform size 1105 x 2180 mm.

All B-side doors are placed in the middle as standard, entrance width same as A/C opening.

DESIGN – KALEA A4 MILLE	
Shaft	Steel panels finished in off white RAL 9010 Glass panels (std 575 mm) Corner profiles in aluminium as standard
Door configurations	A, B or C opening
Shaft door	Steel door fronts painted in off white RAL 9010 Fire and gas resistant doors EI60
Shaft roof	White with 6 LED spotlights, own roof is an option
Control panel	Easy-to-use tactile buttons with braille, emergency light, alarm button, emergency stop button and clear, easy-to-read text
Floor	Altro ContraX CX2009
Options	Telephones, steel floor for tough environments, top profiles, heater, locking systems, elbow buttons, external call button, level indicator, IR-control, automatic shaft lighting, kick plates on doors, voice announcements and arrival bell. Shaft and door in any RAL-colour

P_K_A4MILLE_GB.13.05 We reserve the right to product alterations. © Kalea Lifts AB 2013

KALEA A4 MILLE

Kalea Lifts AB

www.kalealifts.com/fr
info@kalea.se

MEMBER OF
EPISA