

KALEA A4 CABINA S

- Cabin lift delivered with ready-made shaft
- Spacious, fully enclosed cabin with autorun controls
- Fast installation without major construction work
- Energy efficient with low maintenance costs
- Swedish quality and design
- Ideal for existing residential buildings

The ideal cabin lift solution

Kalea A4 Cabina S is the ideal accessibility solution. This lift model has taken the smartest features from platform lift technology to the next level by adding a fully enclosed cabin with autorun controls.

Thanks to its smart concept, based on platform lift technology, Kalea A4 Cabina S requires very little construction work. The shaft is supplied with the lift, the machine room is integrated, the required headroom on top level is low and the lift can even be installed without a lift pit (access ramp supplied). This makes the Kalea A4 Cabina S the perfect cabin lift solution for existing residential buildings.

Fast to install and easy to maintain

All elements of the lift are prefabricated and delivered ready to install, which will save you a lot of time and money. In general a 2 stop Kalea A4 Cabina S is installed within 3-4 days.

The screw driven Kalea A4 Cabina S is delivered with a smart automatic lubrication system as standard. The screw driven technology from Kalea Lifts is silent, robust and reliable and will bring your maintenance costs down to a minimum.



KALEA A4 CABINA S

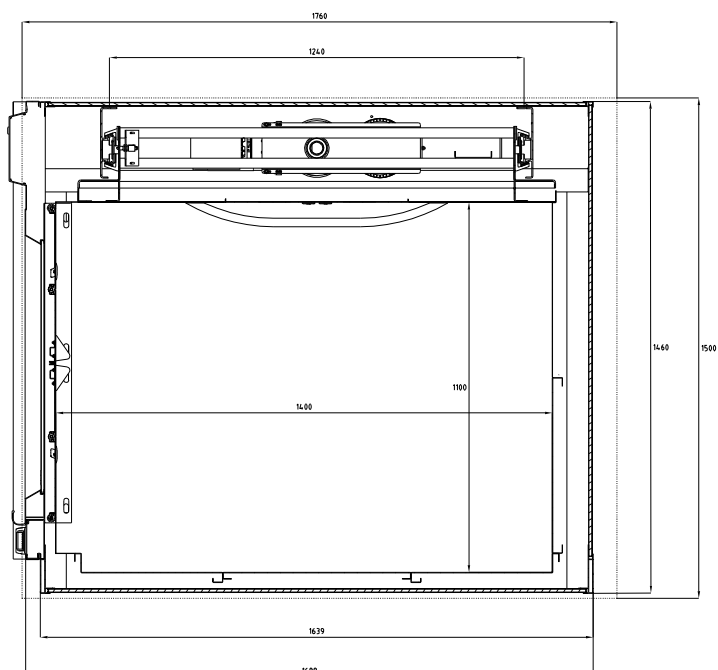
Standard size, mm

Cabin size (WxDxH): 1100x1400x2200

Lift shaft size (WxD): 1460x1639

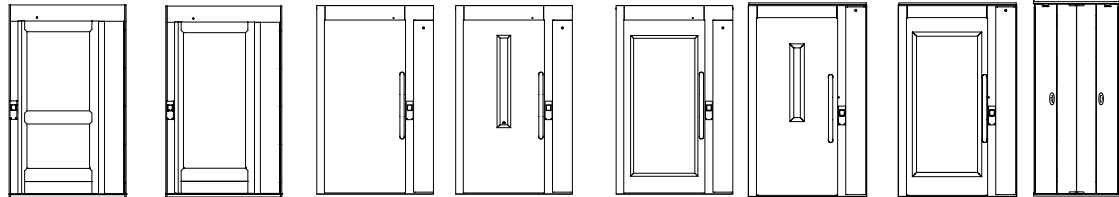
Cut out size (WxD): 1500x1760

The exact cut out sizes vary depending on the configuration of the lift, and site specifications, please consult your local distributor for more information.





TECHNICAL INFORMATION	KALEA A4 CABINA S
Installation	Indoors
Rated load	400 kg
Rated speed (m/sec)	Max 0.15
Travel	Up to 13 m
Number of stops	6
Min.headroom at top landing	2500 mm
Pit depth	70 mm/0 mm with ramp
Cabin size (WxDxH)	1100x1400x2200 mm
Lift shaft size (WxD)	1460x1639 mm
Cut out size (WxD)	1500x1760 mm
Standard shaft finish	Steel panels, white RAL 9016
Standard cabin finish	Steel panels, white RAL 9016
Landing door type	Swing doors
Clear opening	900x2000 mm
Cabin doors	Folding door (always included)
Drive system	Screw and nut with safety nut
Control system	CANbus microcomputer system
Standard power supply	3x400VAC/3x230VAC 50/60 Hz 16 A
Motor power	4 KW
Control buttons	Autorun, one-touch control
Machine room	Integrated
Applicable standards	European MD 2006/42/EC
Manufactured in	Sweden



Door name	AL3	AL4	A0	A10	A20	EI60*	EI60G*	AF0
Clear door opening size mm, (WxH)	900x2000**	900x2000**	900x2000**	900x2000**	900x2000**	900x2000**	900x2000**	900x2100
Glass size mm, (WxH)	740x535/ 740x935	740x1600	90x1010	90x1010	725x1590	75x800	700x1563	no glass
Door finish	Anodized alum.	Anodized alum.	Painted steel	Painted steel	Painted steel	Painted steel	Painted steel	Painted steel
Frame/RAL colour	Anodized alum.	Anodized alum.	9016	9016	9016	9016	9016	9016
Concealed door closer	STD	STD	STD	STD	STD	STD	STD	STD
Automatic door opener	Concealed	Concealed	Concealed	Concealed	Concealed	Externally fitted	Externally fitted	STD
Door handle	Integrated in the door leaf	Integrated in the door leaf	Placed external	Placed external	Placed external	Placed external	placed external	Integrated in the door

* Fire rated doors in compliance with EN 81-58

** Customized clear opening height of 1800-2100 mm available upon request.



KALEA A4 CABINA S

ACCESSORIES AND OPTIONS

Thanks to our wide choice of accessories and options, your lift can be customized to fit your specific requirements and taste.

ACCESSORIES

LOCKING SYSTEMS

Auto lock of landing doors (School lock) with key or code locks
ON/OFF key lock in cabin

TELEPHONES

Handsfree auto-dialer (GSM)
Intercom

ALARM

Connection to general alarm system
Alarm beacon

OTHER ACCESSORIES

Remote controls with IR, max 4 landings
Arrival signal
Voice announcement
Fire drive
Remote electrical compartment
Extra socket in electrical compartment

ACCESSORIES

CABIN & SHAFT

Shaft panels in any RAL colour
Cabin walls and ceiling in any RAL colour
Control panel in stainless steel or in any RAL colour
Shaft roof
Machine room top cover
Fixing bracket (U bracket)

LANDINGS & DOORS

Remote call buttons
Remote elbow call buttons
Level indicators
Concealed automatic door openers
Doors with small vision panel (A10)
Aluminium doors (AL3, AL4)
Fire rated doors (EI60 and EI60G)
Door and frame painted in any RAL colour

FLOORING

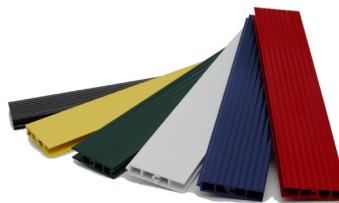
Cabin floor with our selection of anti slip rubber carpets
Cabin floor delivered without carpet (you fit the carpet of your choice)



Remote elbow call button



Code lock



RAL colors



Intercom

For more product details and information about the product and accessory selection, contact Kalea Lifts AB. This product information is general and we reserve the right to modify product design and specifications. No claims shall be construed as warranties or conditions, express or implied, of any product, its fitness for a particular purpose or quality. Minor deviations in color reproduction can occur. © Kalea Lifts AB 2014